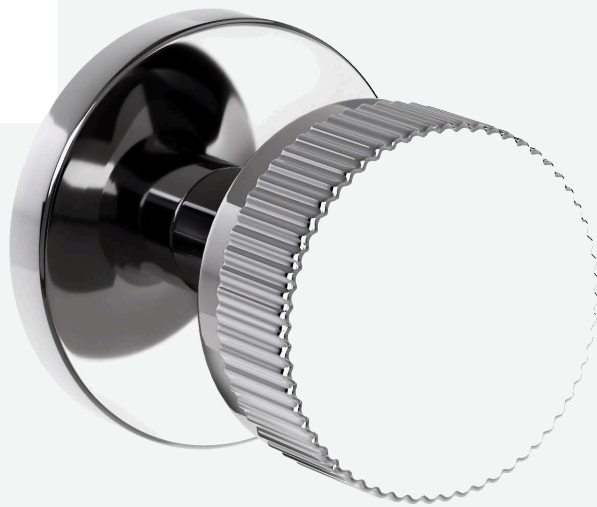


# ·Embelle®



**EMBER** Knob Handle  
K200 series

# EMBER Knob Handle

## SPECIFICATIONS



Lever length	2.45"
Lever projection	2.84"
Lever clearance	1.45"
Rosette height	2.50"
Rosette width	2.50"
Rosette depth	.39"
Face plate	1" x 2-1/4" radius
Concealed screws	Dummies are concealed
Handing	Reversible for left and right hand use
Area	Interior
Doors	Wooden. Metal door option meets or exceeds ANSI A156.2
ANSI	

### FINISHES

- US15 Satin Nickel
- US4 Satin Brass
- US26 Polished Chrome
- US19 Matte Black
- US15 Satin Nickel

### ROSETTE

- Round (D)
- Rectangle (G)

Additional finishes available upon request

