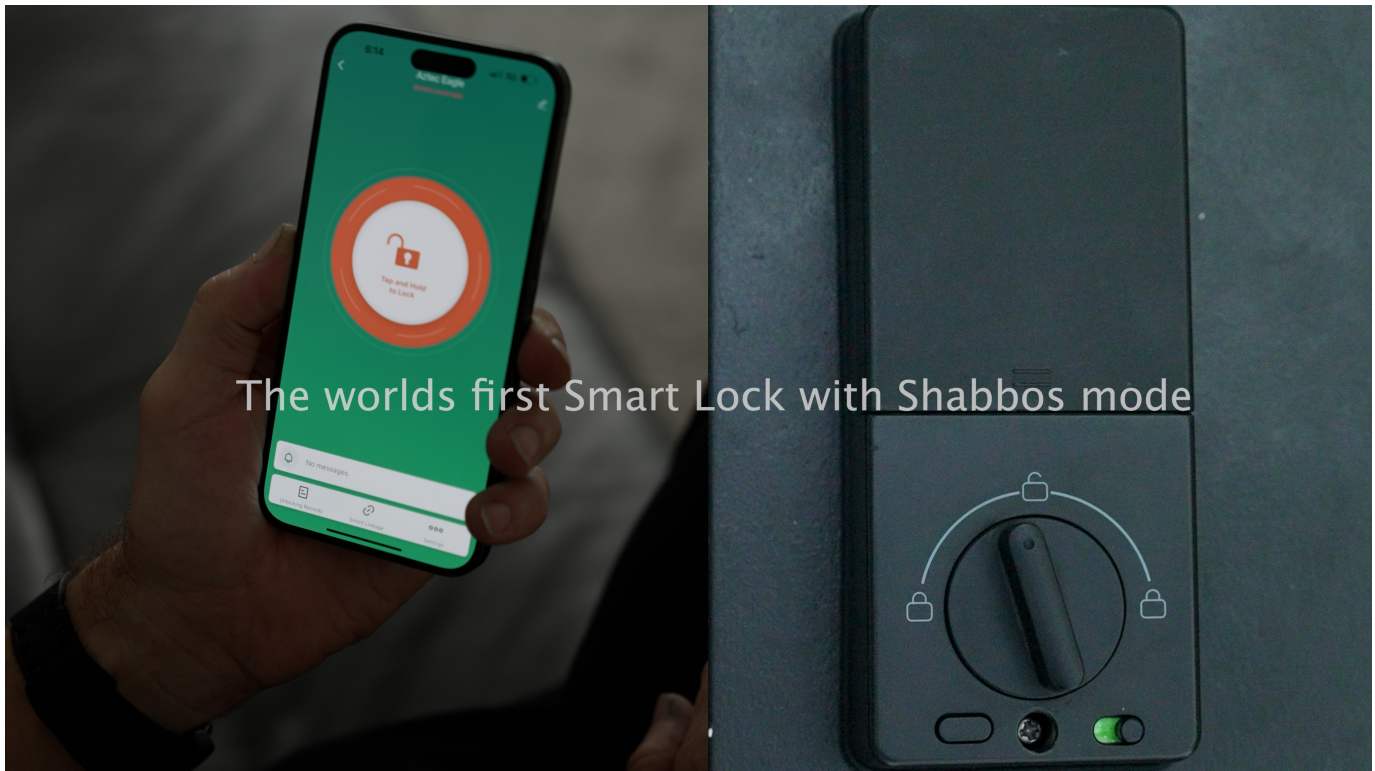


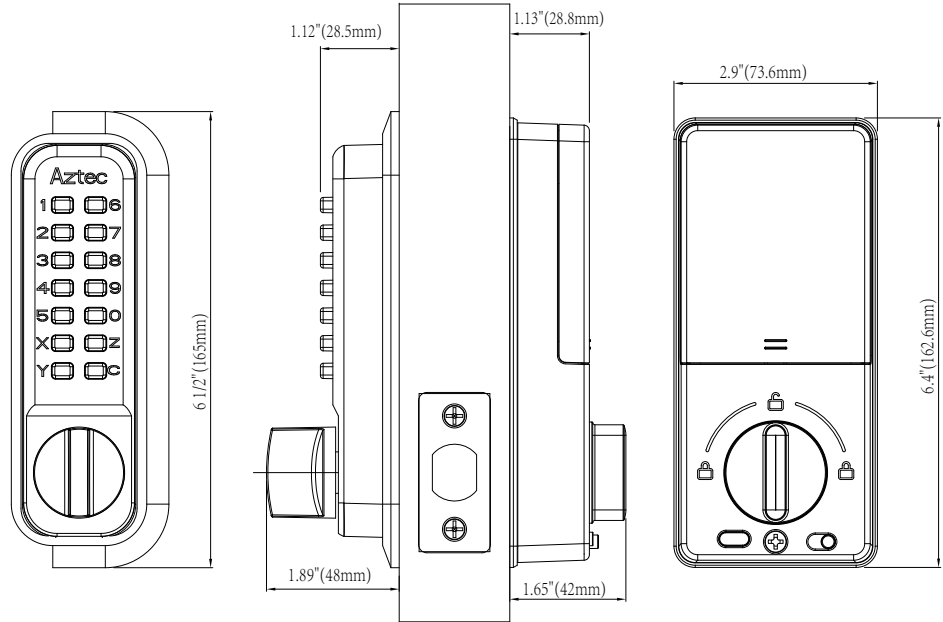
# AZTEC EAGLE

## Smart Lock Upgrade

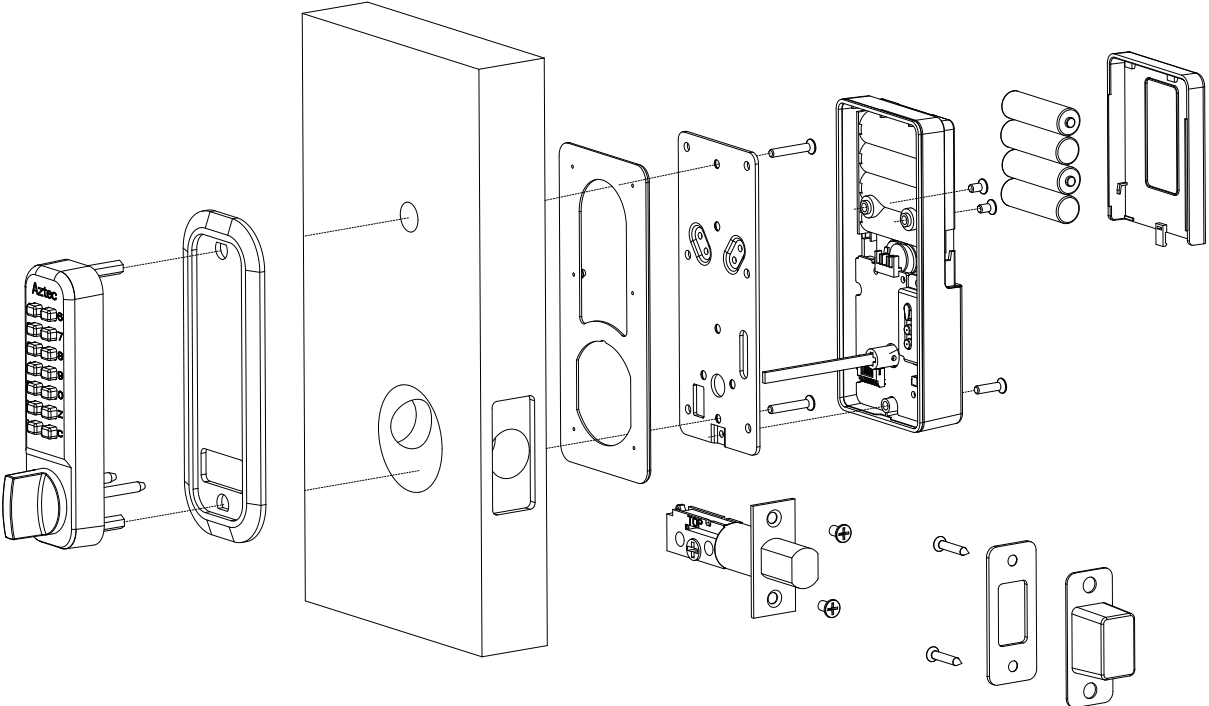


- **Versatile:** Field reversible handing
- **Economical:** Priced affordably to suit projects of all budgets
- **Strong & Reliable:** ANSI/BHMA Grade 2 certified for long life and reliability
- Field reversible handing for easy installation
- Range of functions and options for a wide variety of commercial applications
- Available in 4 finishes

# Lock Dimensions



Dimensions shown are in inches/mm.



# Lock Specifications

*Smart. Wifi. Bluetooth.  
Sabbath Mode.*

## The first of its kind

- Certified by the OU for use on shabbos.
- Fully mechanical exterior with electronic interior.
- App allows you to unlock your door from anywhere.
- Add residents to control lock.
- Set up a time for door to unlock/lock.

### Available Finishes



Satin Nickel (US15)



Black Suede (US19)



Satin Brass (US4)



Polished Brass (US3)

Bluetooth Standard	Bluetooth 4.1 BLE
Supported Mobile Phone	Android 4.3 /IOS 7.0 or above
Power Supply Mode	4 Alkaline Dry Batteries
Low Voltage Alarm	4.8V
Voltage Range	4.5 - 6V
Standby Current	65 $\mu$ A
Working Current	Less than 200 mA
Unlocking Time	$\approx$ 1.5 seconds
Operating Temperature	-4 - 158°F
Key Type	Capacitive Touch Button
Unlocking Methods	Key Presses or TUYA app

Works with:



TUYA



Copyright © 2026, AZTEC LOCKS LLC. All rights reserved.

Reproduction in whole or in part without the express written permission of AZTEC LOCKS LLC is prohibited.

Patent Pending.