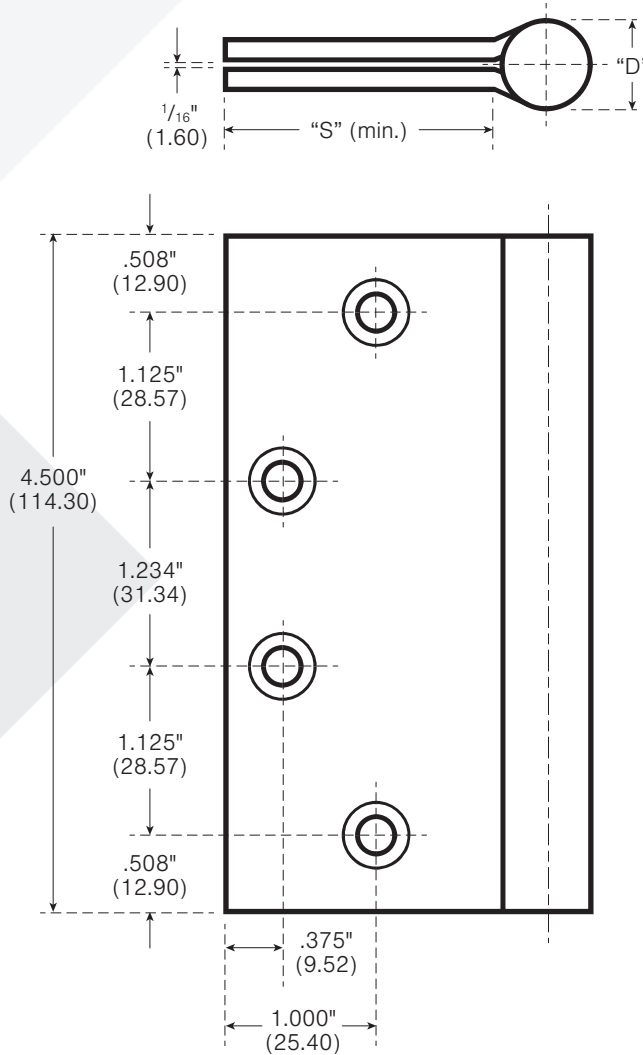


MacPro MPB79/MPB91

4 1/2" Standard Weight Full Mortise Template Hinges

DO NOT SCALE
DIMENSIONS: INCHES (MM)



TEMPLATE 55432

EFFECTIVE DATE:
September 1, 2023

SUPERSEDES:
All Previous

McKinney MacPro Template Hinges of the Catalog Numbers are made to conform to ANSI/BHMA 156.7.

MACHINE SCREW SIZE:
1/2 x 12-24 F.H.

WOOD SCREW SIZE:
1 1/4 x 12 F.H.

CATALOG NUMBER		GAUGE OF METAL	"D" OUTSIDE DIAMETER	"S" DISTANCE (SWAGE LINE)	
STEEL HINGES	STAINLESS STEEL HINGES			HINGE WIDTH	
				4" (101.60)	4 1/2" (114.30)
MPB79	MPB91	.134" (3.40)	.612" (15.53)	1 21/32" (42.10)	1 29/32" (48.40)