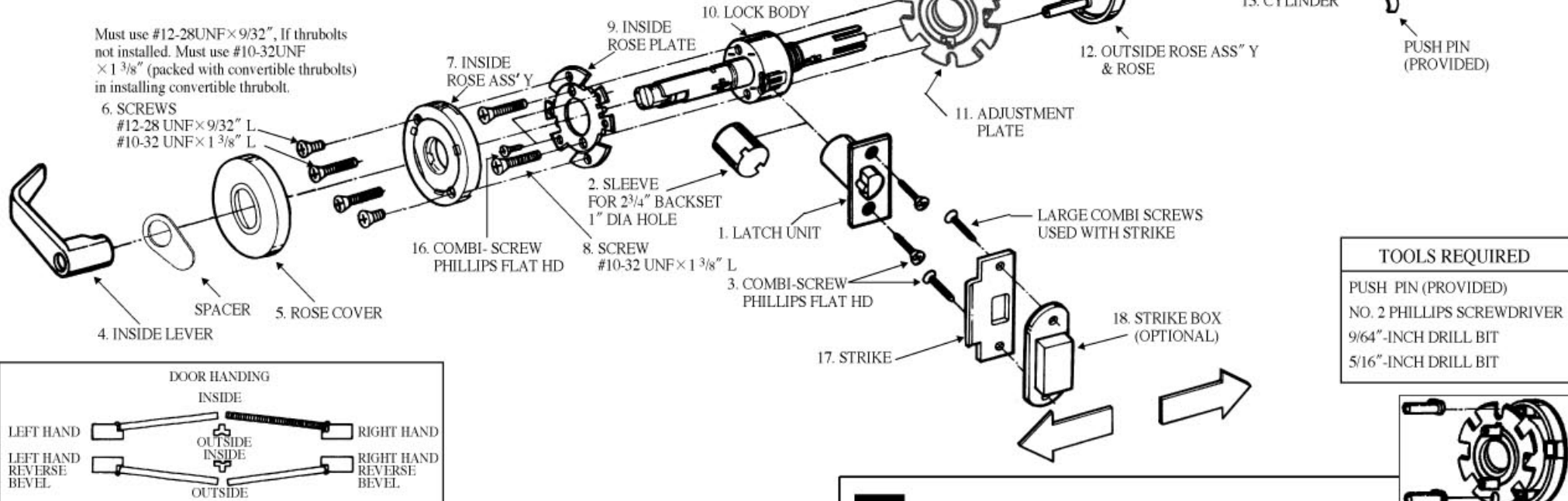


INSTRUCTIONS FOR INSTALLING CONVERTIBLE THRUBOLT LEVER HANDLE SET

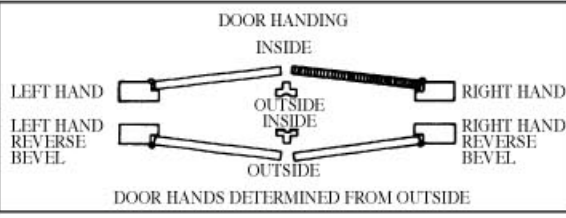
◆ THRUBOLTS ARE PROVIDED AND RECOMMENDED FOR USE ON HIGH FREQUENCY DOORS.

Must use #12-28UNF×9/32", If thrubolts not installed. Must use #10-32UNF×1 3/8" (packed with convertible thrubolts) in installing convertible thrubolt.

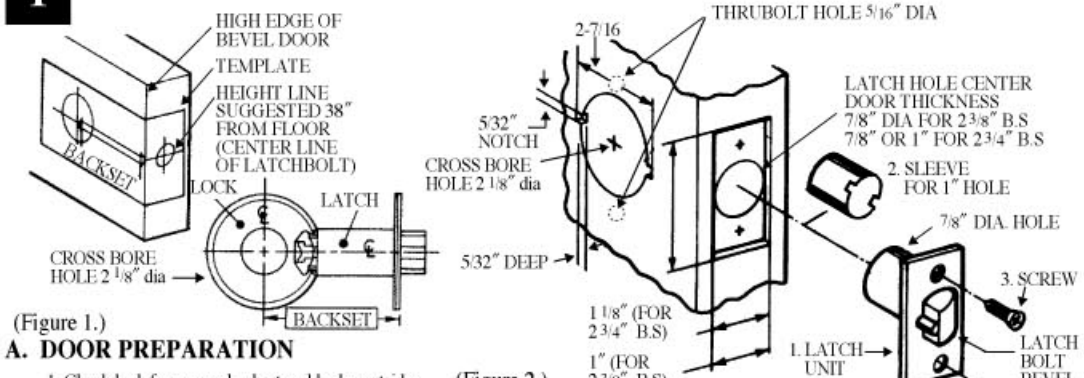
6. SCREWS
#12-28 UNF×9/32" L
#10-32 UNF×1 3/8" L



TOOLS REQUIRED
PUSH PIN (PROVIDED)
NO. 2 PHILLIPS SCREWDRIVER
9/64" INCH DRILL BIT
5/16" INCH DRILL BIT



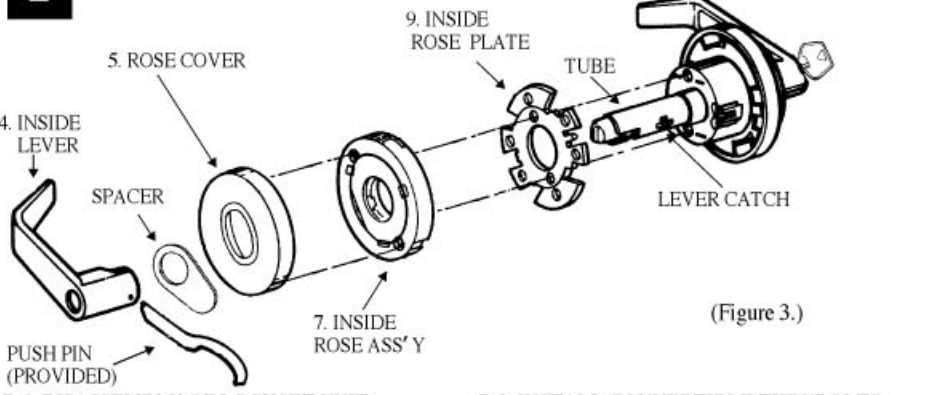
1



- A. DOOR PREPARATION**
1. Check lock for proper backset and body outside stud bolt type before drilling.
 2. Place paper template (supplied) on door and mark for holes. Drill the cross-bore hole, and then the latchhole.
- NOTE:**
Put in notches on 2 1/8" cross-bore hole for steel door (Refer to fig 2).
3. If using thrubolts, drill two 5/16" dia holes per template.

- Figure 2.**
4. Mortise latch unit (1) from 5/32" into door edge to dimensions shown in fig. 2.
 5. Insert latch unit (1) with sleeve (2) if hole is 1" dia. or without sleeve into 7/8" dia.
 6. Drill two 9/64" dia. holes and secure latch unit with combi-screws (3) supplied.

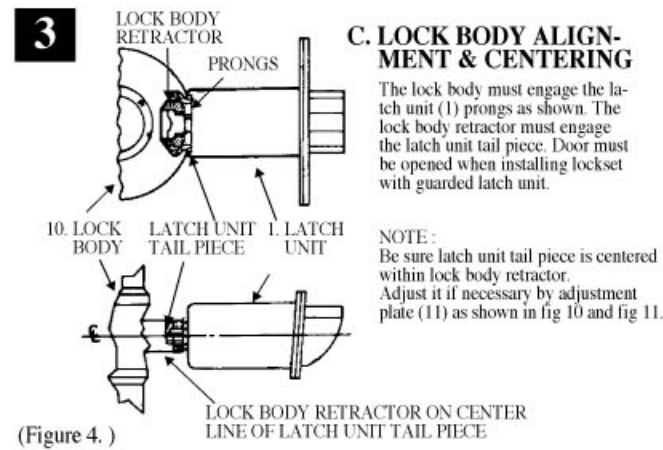
2



- B-1. DISASSEMBLY OF LOCKSET UNIT (INSIDE)**
1. First time removal of lever. Slide lever from tube. Discard spacer. Skip to step 3.
 2. To remove inside lever (4), insert push pin (provided) into hole on lever to depress the lever catch. Slide the lever from the tube.
 3. Remove rose cover (5) by slightly twisting counter-clockwise and pulling off.
 4. Remove inside rose ass'y (7)
 5. Remove inside rose plate (9)

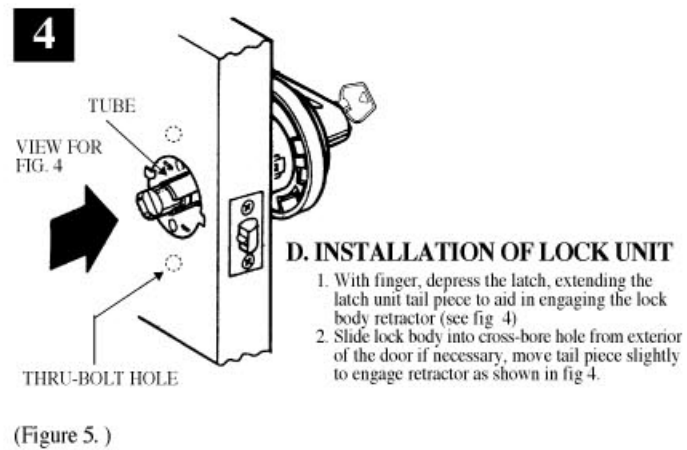
- B-2. INSTALL CONVERTIBLE THRUBOLTS.**
MAKE SURE INSTALL THRUBOLTS BEFORE LOCK INSTALLATION.
1. Disassemble inside lever, rose ass'y and rose plate
 2. Make clearance between adjustment plate and outside rose ass'y then insert the convertible thrubolts (provided 2pcs additionally) into the cavities for convertible thrubolts in the outside rose ass'y
 3. Continue lock installation per instructions. Replace adjustment plate.
- ◆ THRUBOLTS ARE PROVIDED AND RECOMMENDED FOR USE ON HIGH FREQUENCY DOORS.

3



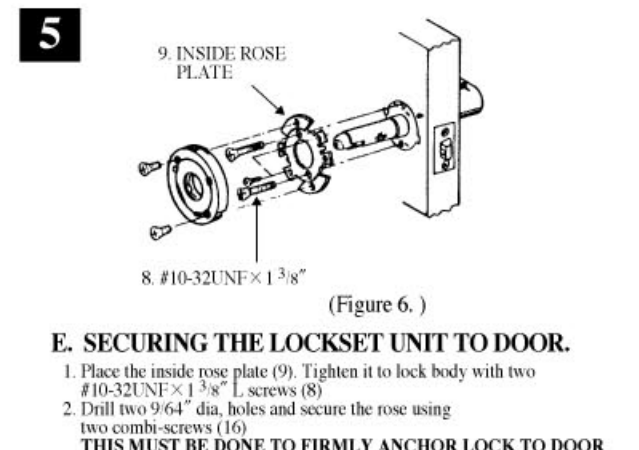
(Figure 4.)

4



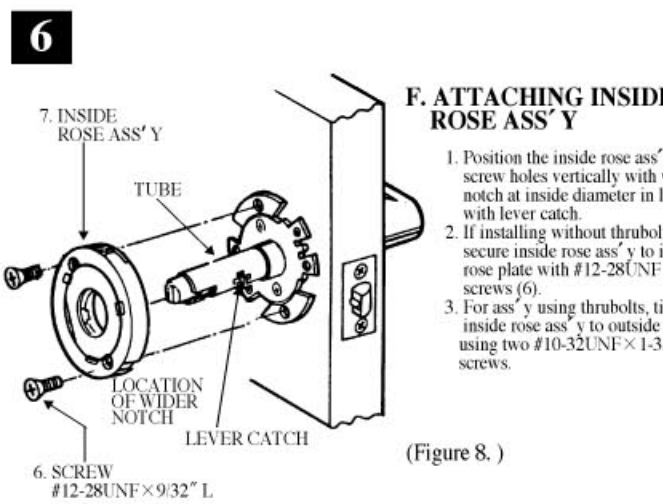
(Figure 5.)

5



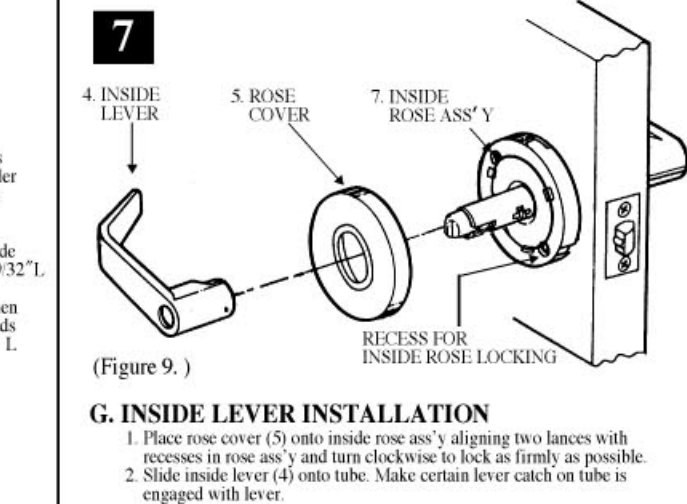
(Figure 6.)

6



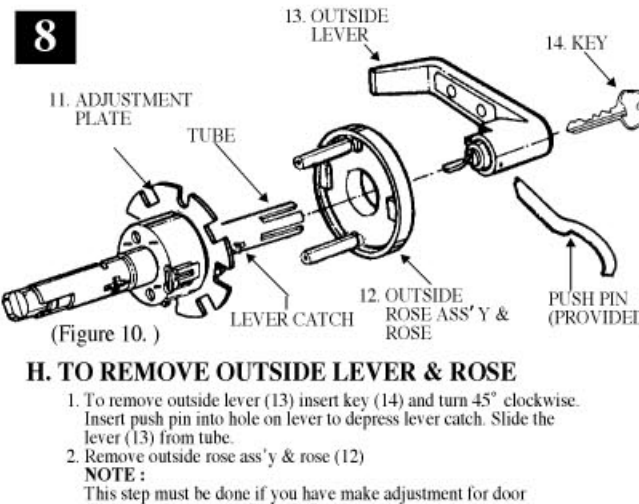
(Figure 8.)

7



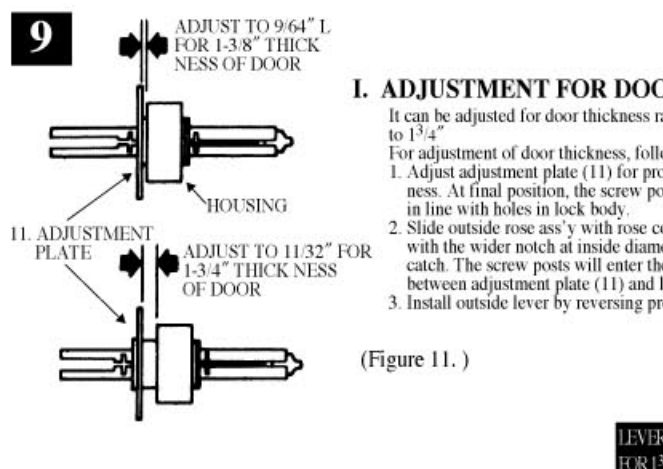
(Figure 9.)

8



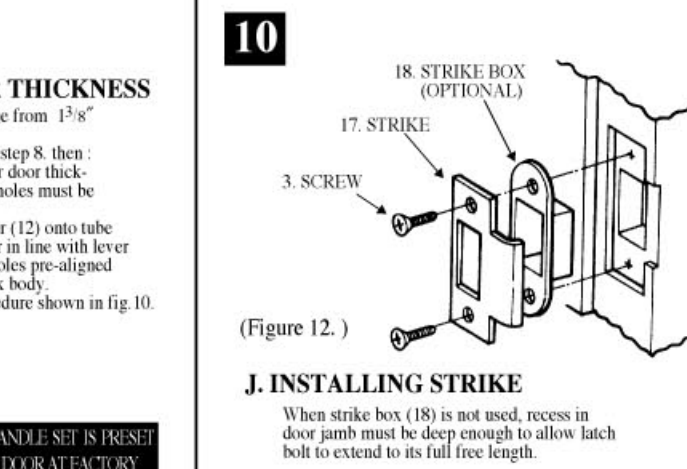
(Figure 10.)

9



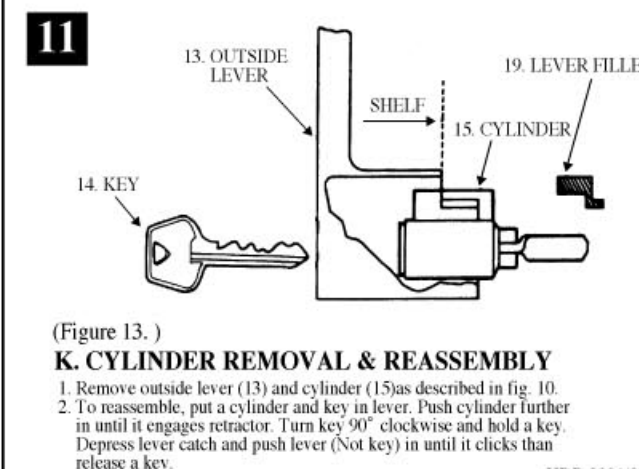
(Figure 11.)

10



(Figure 12.)

11



(Figure 13.)

LEVER HANDLE SET IS PRESET FOR 1 3/4\"/>