

4600LN SERIES Lever Locks

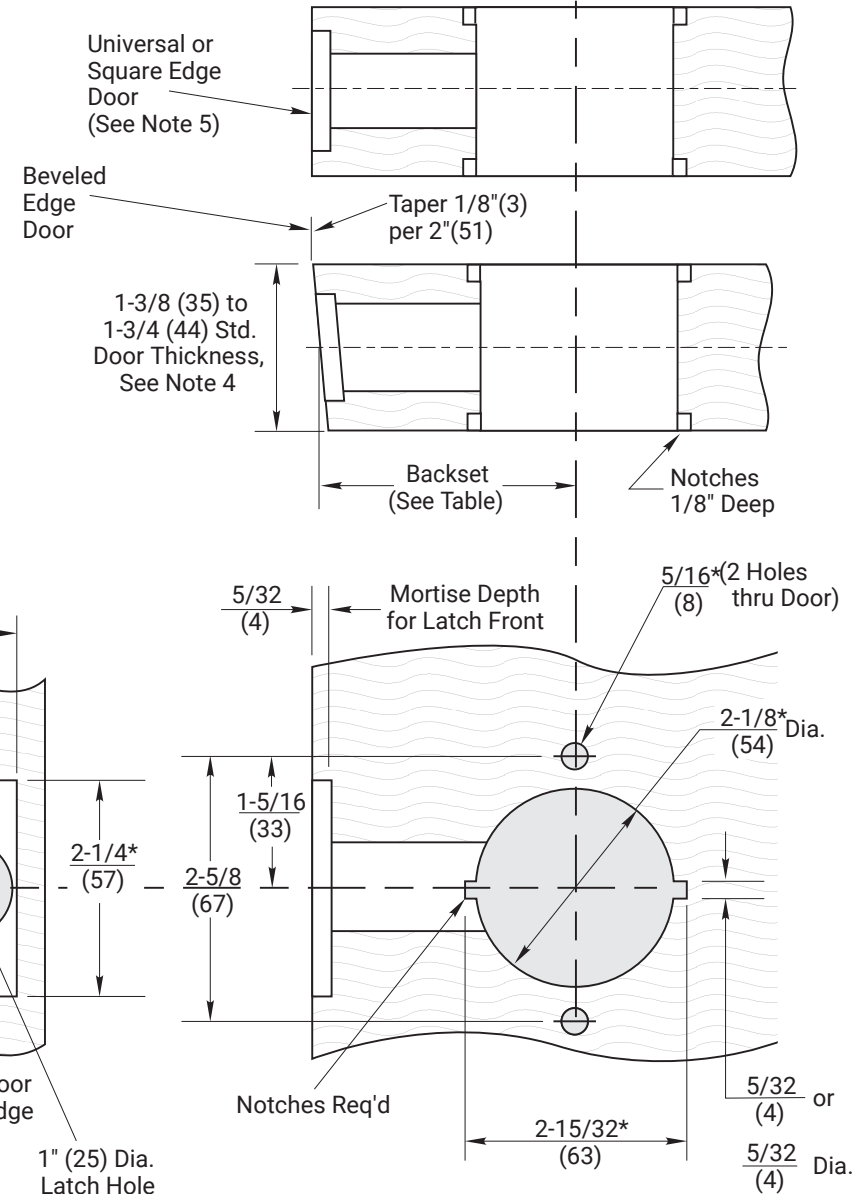
Latch Mdl #	Type	Front	Front Dim. A	Backset	Throw	Latch Dia.
MCP238	Plain	Square	1(25)	2-3/8(60)	1/2(13)	7/8(22)
MCP238R	Plain	Round	1(25)	2-3/8(60)	1/2(13)	7/8(22)
MCP234	Plain	Square	1-1/8(29)	2-3/4(70)	1/2(13)	7/8(22)
MCD238	Deadlocking	Square	1(25)	2-3/8(60)	1/2(13)	7/8(22)
MCD238R	Deadlocking	Round	1(25)	2-3/8(60)	1/2(13)	7/8(22)
MCD234	Deadlocking	Square	1-1/8(29)	2-3/4(70)	1/2(13)	7/8(22)

NOTE: 1/8" sleeve (P/N 14-0378-9001-999) supplied with all latchbolts to accommodate 1" preps.

Notes:

- For strike preparation refer to:
497 strike = Template No. 7102-0003.
371 strike = Template No. 7102-0005.
- Dimensions marked with * have tolerances of +1/32, -0.
- All dimensions given in inches (mm).
- Standard locks adjustable for 1-3/8" (35) to 1-3/4" (44) door thicknesses.
- For universal or square edge doors.

DO NOT SCALE



Experience a safer
and more open world

Copyright © 2010, 2023, 2024, ASSA ABLOY Access and Egress Hardware Group, Inc. All rights reserved. Reproduction in whole or in part without the express written permission of ASSA ABLOY Access and Egress Hardware Group, Inc. is prohibited.

**4600LN Series Lever Handle Cylindrical Locks Wood
Door Preparation**
2-3/4" and Optional Backsets

1-855-557-5078 Ext. 2 www.accentra-assaabloy.com

Template Number:
7150-0106

Date: 05/24

Sheet: 1 of 1

ACCENTRA
ASSA ABLOY