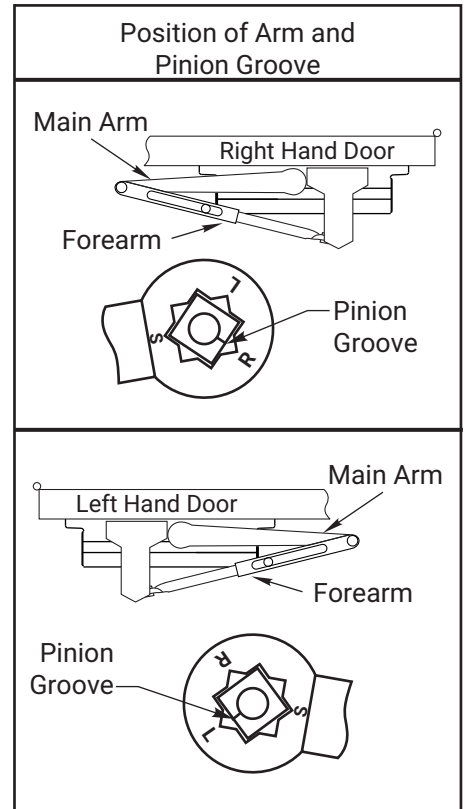
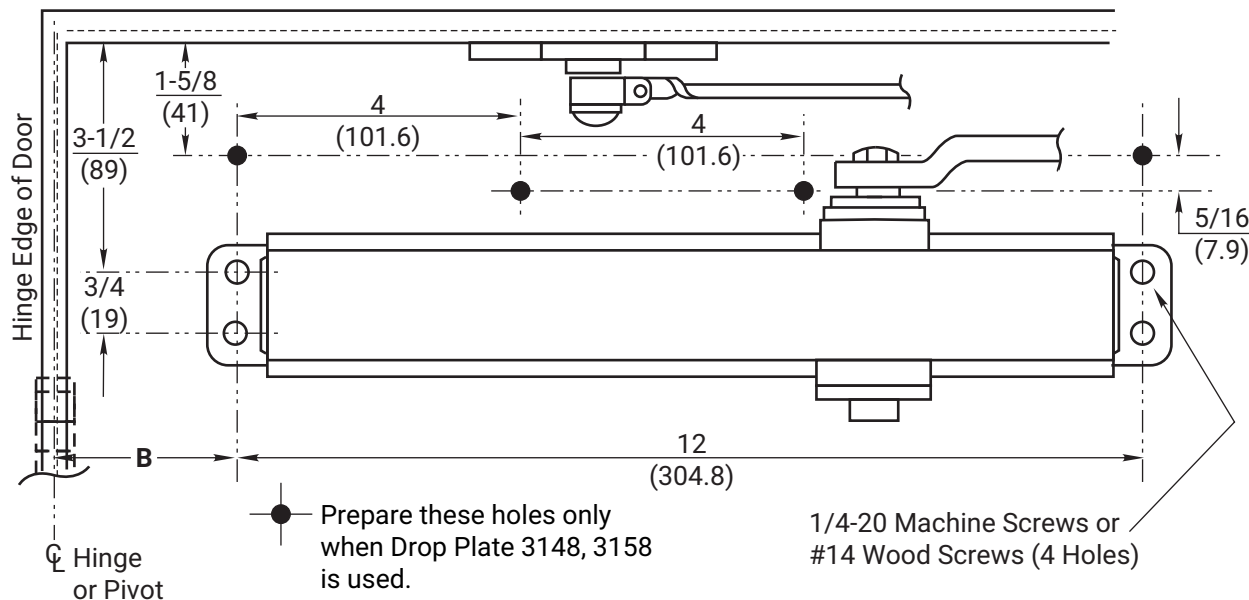


Opening	Dim. "A" inch (mm)	Dim. "B" inch (mm)
To 120°	9-1/2 (241)	3-3/4 (95)
Over 120°	7 (178)	1-1/4 (32)



**NOTES:**

- Do not scale drawing.
- Left hand door shown.
- Dimensions are in inches (mm).
- Hollow metal doors require channel or box type reinforcement when thru bolt mount is specified.
- Sex bolt required for wood or plastic faced fire door mounting.
- Minimum thickness recommended for reinforcements in hollow metal doors and frames: .1046 (2.66mm) unless otherwise noted.

**2700 Series Door Closer**  
**Model 2701 With or Without 3148 or 3158 Drop Plate**  
**Parallel Arm Application, Non-Hold Open**

**ACCENTRA**  
**ASSA ABLOY**

TEMPLATE NUMBER	REV	DATE
7327-0201	3	05/24