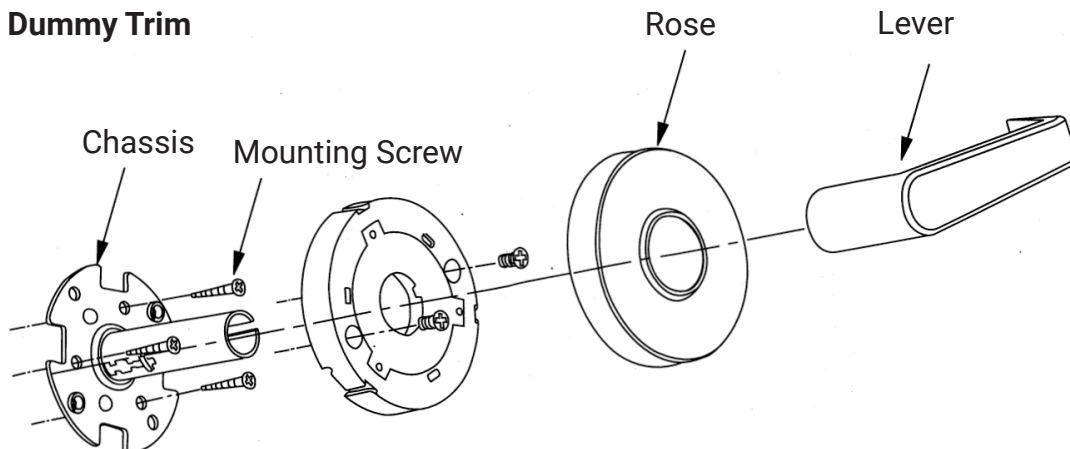


4655LN Dummy Trim

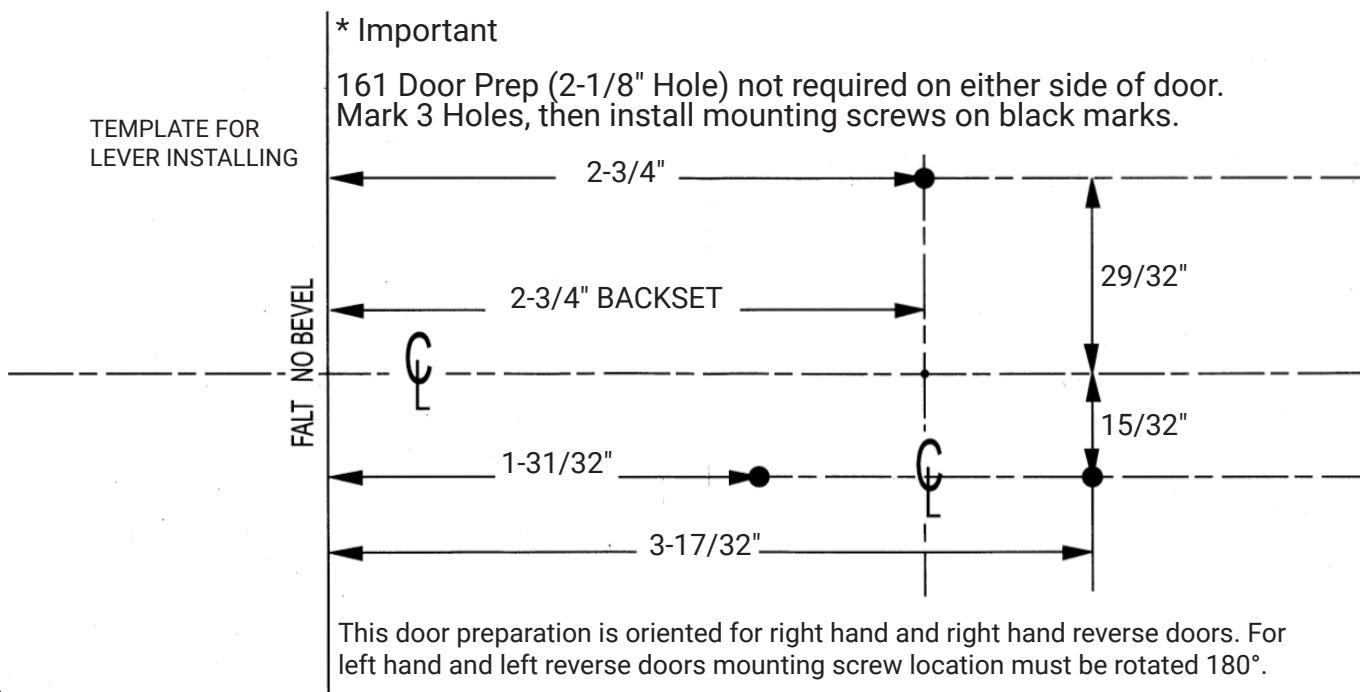
ACCENTRA
ASSA ABLOY

Installation Instructions

How To Install Dummy Trim



1. Install chassis at proper position on the door by provided three mounting screws.
2. Align rose reinforcement with chassis and assemble it by two screws as shown on diagram.
3. Fit the Rose to rose reinforcement and rotate clockwise to fix it.
4. Push the handle until clicked align with chassis.



⚠ WARNING

This product can expose you to lead which is known to the state of California to cause cancer and birth defects or other reproductive harm. For more information go to www.P65warnings.ca.gov.

⚠ WARNING

Attention Installer: Any retrofit or other field modification to a fire rated opening can potentially impact the fire rating of the opening, and ASSA ABLOY makes no representations or warranties concerning what such impact may be in any specific situation. When retrofitting any portion of an existing fire-rated opening, or specifying and installing a new fire-rated opening, please consult with a code specialist or local code official (Authority Having Jurisdiction) to ensure compliance with all applicable codes and ratings.

80-8150-0078-000 06/24

1-855-557-5078 Ext. 2 • www.accentra-assaabloy.com

Copyright © 2023,2024, ASSA ABLOY Access and Egress Hardware Group, Inc. All rights reserved. Reproduction in whole or in part without the express written permission of ASSA ABLOY Access and Egress Hardware Group, Inc. is prohibited.

Experience a safer
and more open world