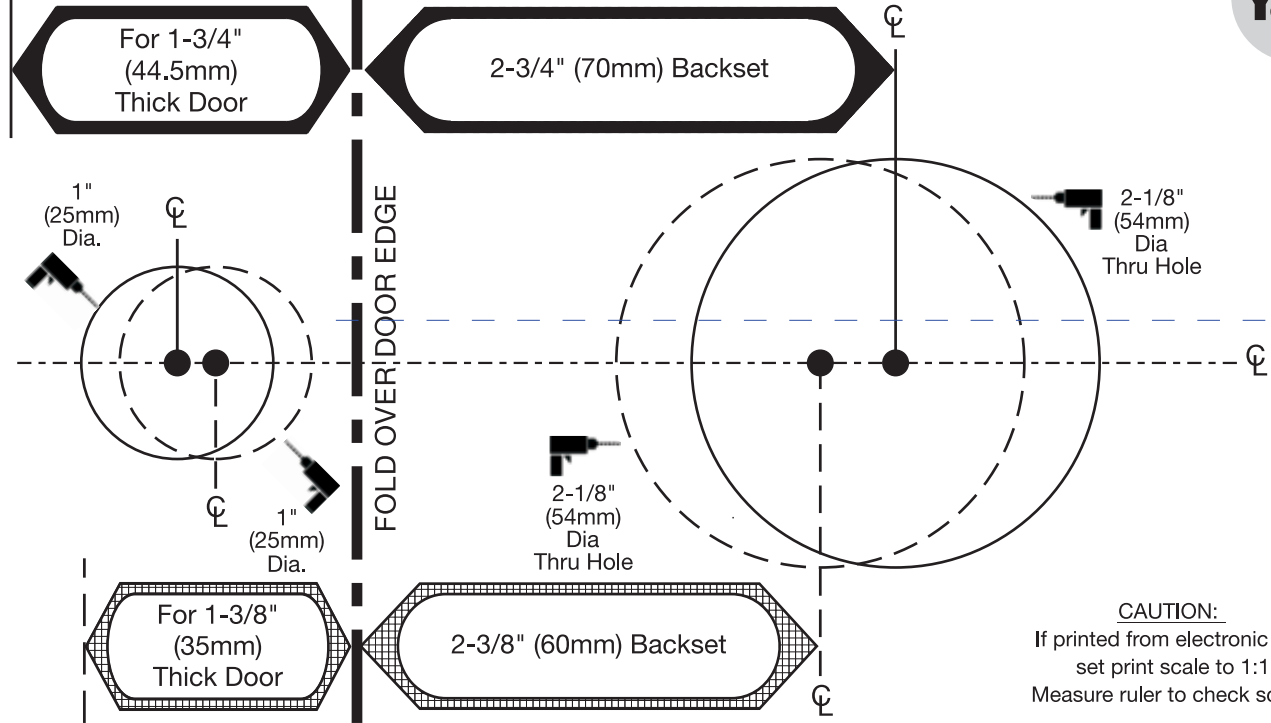




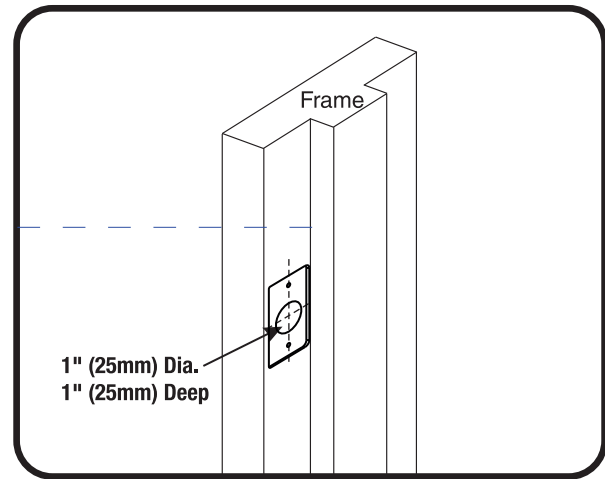
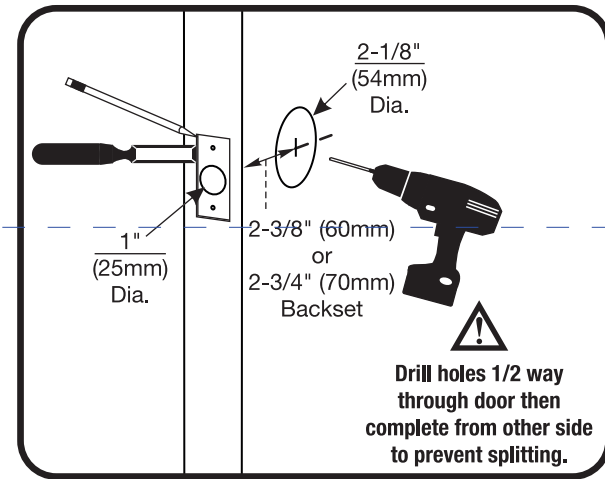
New Door Marking Template



CAUTION:
If printed from electronic file,
set print scale to 1:1
Measure ruler to check scale.

Preparing Door & Frame

Necessary for new doors or adjusting existing prep.



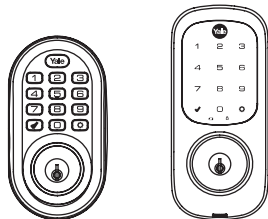
Check Your Door Guide

For doors with existing hardware

CAUTION:

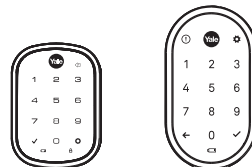
If printed from electronic file,
set print scale to 1:1
Measure ruler to check scale.

Keyed Locks

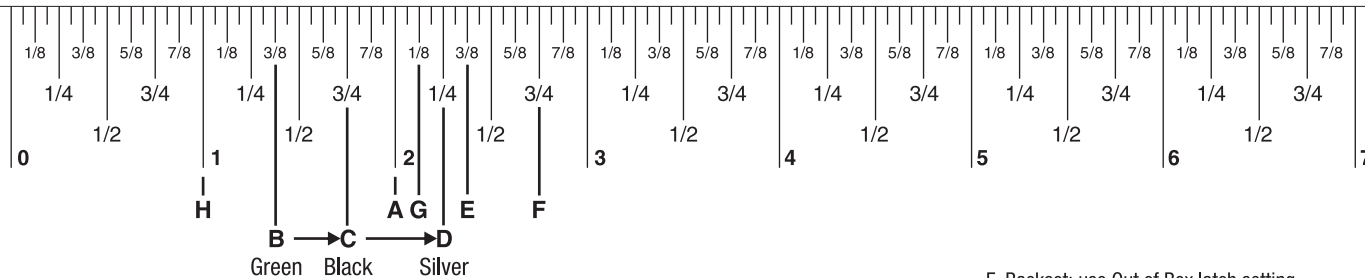


*Keyed locks are supplied with Screw Set D for 1-3/4" to 2-1/4" door thickness. A thin door gasket (sold separately) is required for 1-3/8" to 1-3/4" door thicknesses. Screw Sets B and C cannot be used.

Key Free Locks



*Key Free locks are supplied with all screw sets to accommodate door thicknesses 1-3/8" to 2-1/4".



A. Minimum clearance between top of existing lever/knob rose (trim) and center of deadbolt hole.

*B. 1-3/8" Door Thickness; use Screw Set B for key free locks or thin door gasket for keyed locks. Screws are tinted green.

*C. 1-3/8" - 1-3/4" Door Thickness; use Screw Set C for key free locks or thin door gasket for keyed locks. Screws are tinted black.

*D. 1-3/4" - 2-1/4" Door Thickness; use Screw Set D. Screws are tinted silver.

E. Backset; use Out of Box latch setting.

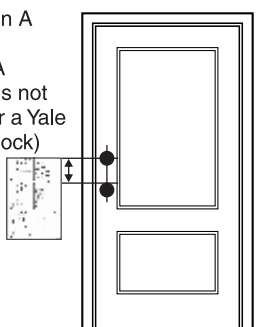
F. Backset; adjust latch setting.

G. Face Bore Diameter.

H. Edge Bore Diameter and Depth. Cross Bore Diameter.

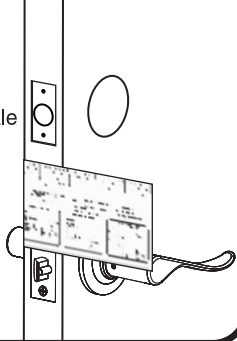
Measure Clearance

- ✓ Greater than A
- ✗ Less than A
(Your door is not a match for a Yale electronic lock)



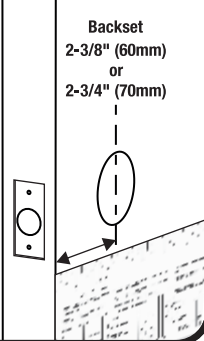
Measure Door Thickness

- ✓ B, C or D
- ✗ Less than B
(Your door is not a match for a Yale electronic lock)
- ✗ Greater than D
(Your door is not a match for a Yale electronic lock)



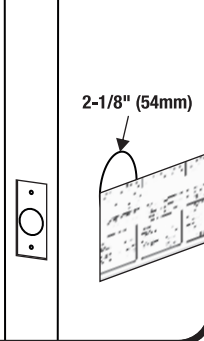
Measure Backset

- ✓ Equals E or F
- ✗ Less than E or F
(Your door is not a match for a Yale electronic lock)
- ✗ Greater than E or F
(Your door is not a match for a Yale electronic lock)



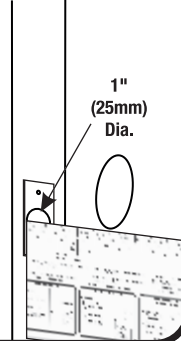
Measure Face Bore

- ✓ Equals G
- ✗ Less than G
(Adjust diameter to 2-1/8")
- ✗ Greater than G
(Your door is not a match for a Yale electronic lock)



Measure Cross Bore

- ✓ Equals H
- ✗ Less than H
(Adjust diameter to 1")
- ✗ Greater than H
(Your door is not a match for a Yale electronic lock)



Measure Strike Pocket Diameter and Depth

- ✓ Equals H
- ✗ Less than H
(Adjust diameter and depth to 1")
- ✗ Greater than H
(Your door is not a match for a Yale electronic lock)

