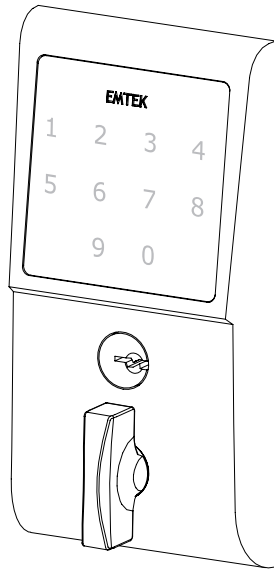
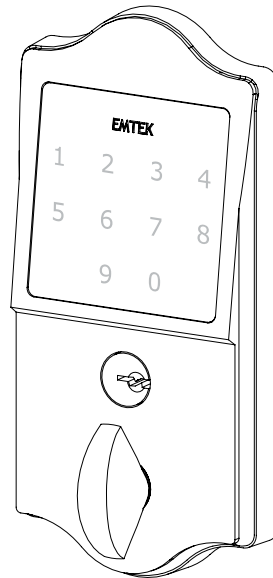


## Installation & Programming Guide

### EMTouch™ & EMTouch™ Classic Style Electronic Deadbolt Locksets

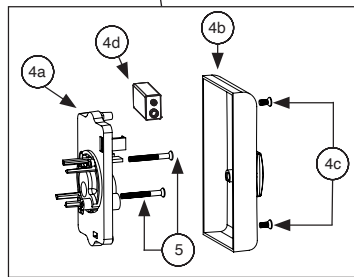
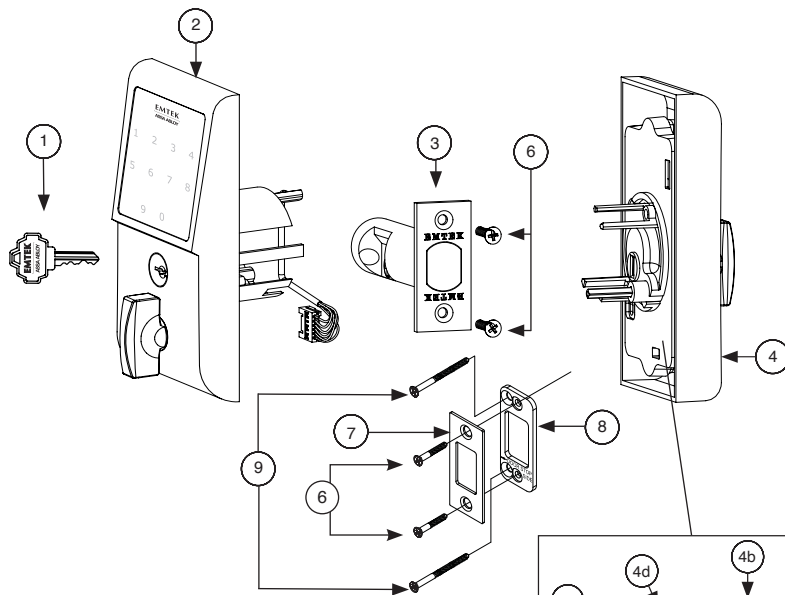


EMTouch™



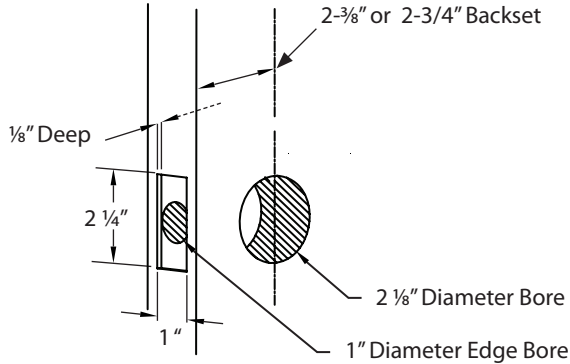
EMTouch™ Classic Style

# What's in the Box



ITEM NO.	DESCRIPTION	QTY.
1	Key	2
2	Outside Trim Plate Assembly	1
3	Deadbolt Latch Assembly 2 3/8" or 2 3/4" Backset	1
4	Inside Trim Plate Assembly	1
4a	Inside Chassis	1
4b	Inside Trim Plate	1
4c	#8-32 x 3/4" Flat Head Machine Screw	2
4d	9V Alkaline Battery	1
5	#8-32 x 1 1/2" Flat Head Machine Screw	2
6	#8 x 3/4" Wood Screw	4
7	Strike Plate	1
8	Security Plate	1
9	#10 x 3" Wood Screw	2

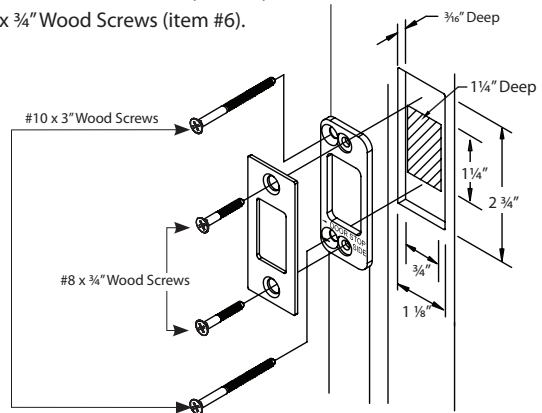
## 1. Door Prep



## 2. Door Jamb Prep

**Step 1:** Fasten Security Plate using two #10 x 3" Wood Screws (item #9).

**Step 2:** Fasten Strike Plate using two #8 x  $\frac{3}{4}$ " Wood Screws (item #6).

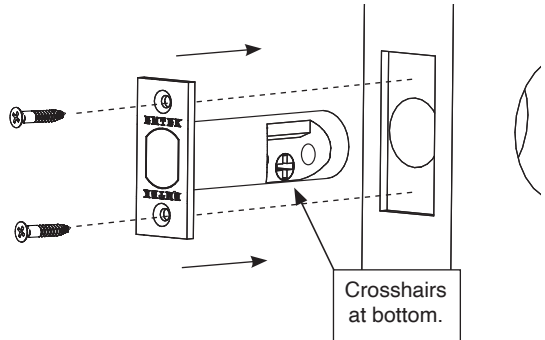
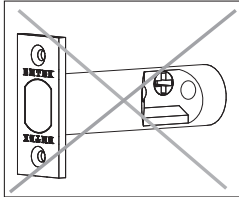


## 1. Install Latch

Fasten Latch using two #8 x 3/4" Wood Screws (item #6).



**THE LATCH ASSEMBLY MUST BE ORIENTED AS SHOWN AND THE BOLT MUST BE IN THE RETRACTED POSITION FOR INSTALLATION.**

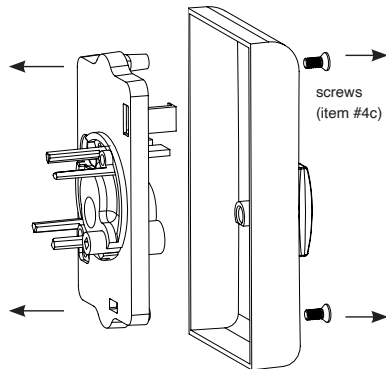
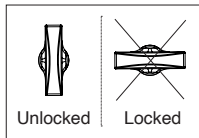


## 2. Remove Screws from Inside Trim Plate

Use a Phillips head screwdriver to remove screws (item #4c) shown below and detach Inside Trim Plate from the Inside Chassis.



**REMOVE INSIDE CHASSIS FROM TRIM PLATE BEFORE INSTALLING THE OUTSIDE TRIM. THUMBTURN MUST BE IN UNLOCKED POSITION.**

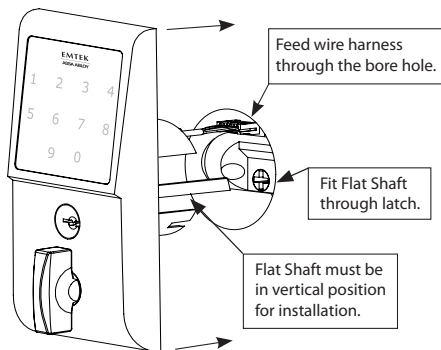


### 3. Install Outside Trim Plate Assembly

Position the Outside Trim Plate Assembly through the bore hole.



**ONCE POSITIONED,  
OUTSIDE TRIM PLATE  
ASSEMBLY REQUIRES  
SUPPORT.**

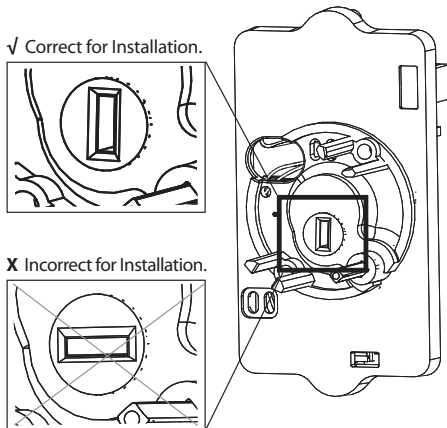


### 4. Install Inside Chassis

**Step 1:** Confirm the position of Flat Shaft.

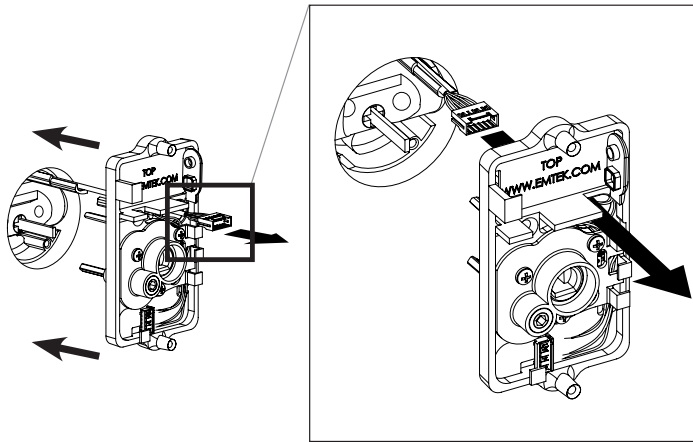


**HOLE FOR FLAT  
SHAFT MUST BE IN  
VERTICAL POSITION  
FOR INSTALLATION.**



## 4. Install Inside Chassis

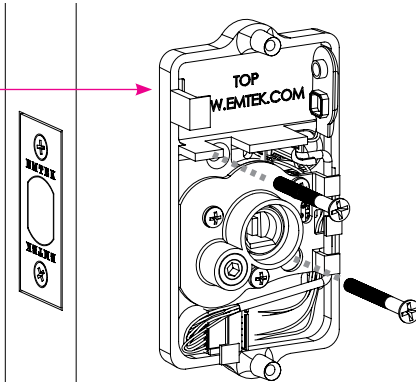
**Step 2:** Feed the Wire Harness through Inside Chassis.



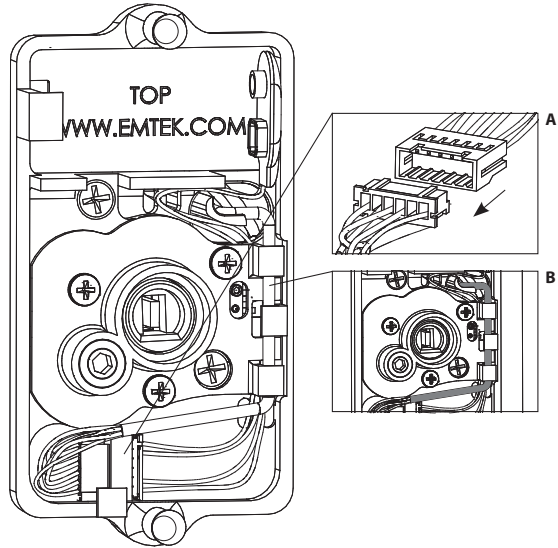
**Step 3:** Fasten Inside Chassis using two #8-32 x 1½" Flat Head Machine Screws (item #5).



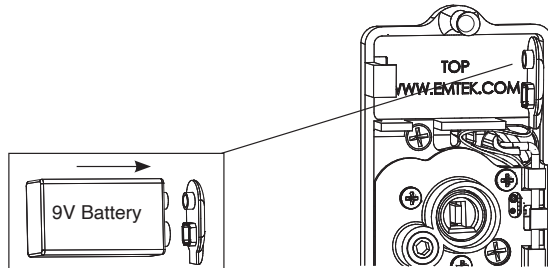
**CHECK ALIGNMENT BEFORE FULLY TIGHTENING SCREWS.**



**Step 4:** Connect Wire Harness (A) and tuck Connectors as shown (B).



**Step 5:** Install Battery.



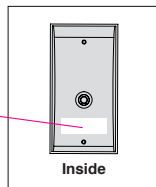
*For optimal performance, always use a good quality battery.*

## 5. Install Inside Trim Plate

Fasten Inside Trim Plate using two #8-32 x 3/8" Flat Head Machine Screws (item #4c).



**USER CODES  
ARE LOCATED  
ON THE INSIDE  
TRIM PLATE &  
ON PAGE 11.**



Correct for installation



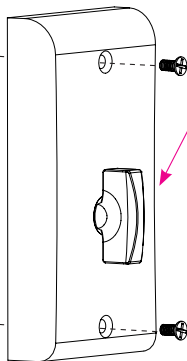
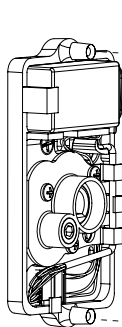
\*Unlocked

Incorrect for installation



Locked

**\*Unlocked position** is required for installation and removal of the Inside Trim Plate Assembly.



**THUMBTURN MUST BE IN  
UNLOCKED POSITION FOR  
INSTALLATION.**

Screws (item #4c)

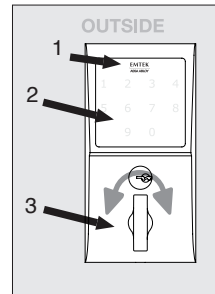


### Your Lock is Ready to Use

Your Emtek lock is shipped with two 4-digit user codes and a 6-digit programming code. These codes are randomly generated at the factory.  
*(Turn to next page for Programming Instructions.)*

#### To Unlock:

1. Press EMTEK key or touch 3 fingers across screen.
2. Enter 4-digit user codes.  
*(See sticker located on the inside trim plate or on page 11).*
3. Rotate Thumbturn.



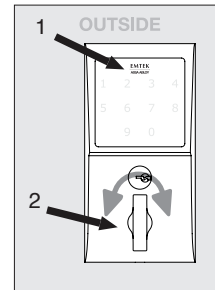
#### To Lock:

##### Option 1

1. Press EMTEK key.
2. Rotate Thumbturn.

##### Option 2

1. Touch 3 fingers across screen.
2. Enter 4-digit user codes.  
*(See sticker located on the inside trim plate or on page 11).*
3. Rotate Thumbturn.



## Programming Your Lock

In order to perform each of the following six functions, the lock must first be placed in Programming Mode:

1. Press and hold EMTEK button for 3 seconds
2. **Yellow** LED flashes, then remains solid\*, number keys also illuminate
3. Enter Programming Code
4. **Yellow** LED flashes, then 1 beep
5. **Yellow** LED remains solid (awaiting button press; see following Table)

IF YOU WISH TO	PRESS BUTTON	ACTIONS		INDICATORS
Change Programming Code (6 digits)	1	Enter New Programming Code (6 digits)	Re-Enter New Programming Code (6 digits)	<ul style="list-style-type: none"> <li>• 1 <b>Green</b> LED flash</li> <li>• 1 beep</li> <li>• 1 <b>Green</b> LED flash</li> <li>• 1 beep</li> <li>• 2 <b>Green</b> LED flashes</li> <li>• 2 beeps</li> </ul>
Add User Code (4 digits) (Store up to 20 User Codes)	2	Enter New User Code (4 digits)	Re-Enter New User Code (4 digits)	<ul style="list-style-type: none"> <li>• 1 <b>Green</b> LED flash</li> <li>• 1 beep</li> <li>• 1 <b>Green</b> LED flash</li> <li>• 1 beep</li> <li>• 2 <b>Green</b> LED flashes</li> <li>• 2 beeps</li> </ul>
Delete User Code	3	Enter User Code to be Deleted	Re-Enter User Code to be Deleted	<ul style="list-style-type: none"> <li>• 1 <b>Green</b> LED flash</li> <li>• 1 beep</li> <li>• 1 <b>Green</b> LED flash</li> <li>• 1 beep</li> <li>• 2 <b>Green</b> LED flashes</li> <li>• 2 beeps</li> </ul>
**Enable/Disable All User Codes	4	Entering '4' disables all Users (enables all if disabled)		<ul style="list-style-type: none"> <li>• 2 <b>Green</b> LED flashes</li> <li>• 2 beeps</li> </ul>
Delete All User Codes	5	Re-Enter Programming Code		<ul style="list-style-type: none"> <li>• 1 <b>Green</b> LED flash</li> <li>• 1 beep</li> <li>• 2 <b>Green</b> LED flashes</li> <li>• 2 beeps</li> </ul>
Turn Beeper On/Off	6	Entering '6' turns OFF (or ON)		<ul style="list-style-type: none"> <li>• 1 <b>Green</b> LED flash</li> <li>• 1 beep</li> <li>• 2 <b>Green</b> LED flashes</li> <li>• 2 beeps</li> </ul>

\*If no input within 20 seconds, **Yellow** LED goes out, **Red** LED flashes and lock exits Programming Mode.

\*\*Also referred to as "vacation mode". This command temporarily disables all user codes (metal key override will still work).

## Keypad Operation - Beeper & LED Indicators

Function	Indicators
Valid Code	• 1 short beep, EMTEK button flashes <b>Green</b> .
Invalid Code/Access Denied*	• 1 <b>Red</b> LED flash • 2 short beeps
Lock-Out Mode Error	• 2 short beeps • 1 short beep per second for duration
Access Accepted	• 1 short beep • 1 <b>Green</b> LED flash
Low Battery	• 4 <b>Red</b> LED flashes • 4 short beeps
Blackout Battery**	• 1 long <b>Red</b> LED flash • 4 long beeps
Button Press Accepted	• 1 <b>Yellow</b> LED flash • 1 Short Beep
Outside Thumb Turn Enabled	• 2 <b>Green</b> LED flashes

\* If 3 consecutive incorrect codes are entered, the lock emits 4 short beeps and a flashing **Red** EMTEK button. The lock will not accept additional input for 20 seconds (20 beeps). When the next valid code is entered the lock will beep quickly 5 times to alert of the incorrect codes.

\*\* Battery voltage has dropped too low; keypad will be disabled but metal key override will still work.

## Restoring the Lock to Factory Default Setting

This procedure clears the lock of all users and restores the Programming Code and 2 User Codes shipped with the lock.

- Press and hold EMTEK button for 3 seconds.
- Enter "000000"
- After 2 beeps and 2 **Green** LED Flash, remove power (disconnect 9V battery) from Lock.
- After 5 seconds, restore power (reconnect 9V battery)
- Confirm by 2 beeps and 2 **Green** LED Flash.

U.S. patents:  
8,176,761  
8,141,400

Canadian patents:  
2,698,041  
2,789,278  
2,789,280

# EMTEK®

Emtek Products

Tel: 800-356-2741 • 626-961-0413

Fax: 800-577-5771 • 626-336-2812

emtek.com



Place Sticker Here

---

Copyright © Emtek Products, ASSA ABLOY Residential Group Inc. DBA Emtek Products, 2021  
Reproduction in whole or in part without the express written permission of Emtek Products is prohibited.

IN8-EMTOUCHDB

10/13/2021