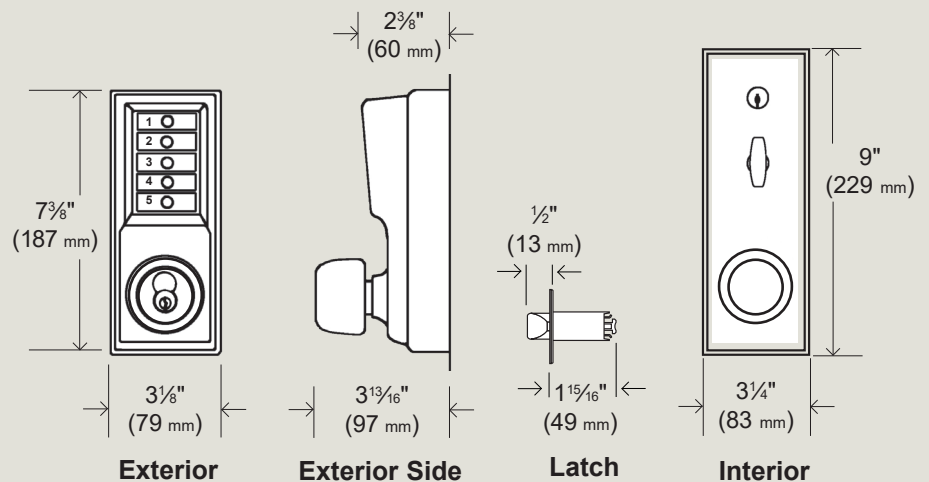


Simplex[®] 1000 Series

dormakaba



Application

The Simplex 1000 lock offers you the best pushbutton access control, without the need for cables, electricity or batteries. You can enter from the outside using a combination and only need to turn the knob to exit.

These locks are the best option for limiting access to sensitive or crowded areas in the institutional, residential and industrial sectors. They are ideal for locations with high people flow such as data centers, employee entrances, research and development laboratories, residential apartments, dorms, and restricted areas in hospitals and airports.

The pushbutton design eliminates the problems associated with handling, controlling and safeguarding keys or magnetic stripe cards. The combination can be changed quickly and easily to provide maximum security after employees, managers or visitors leave. This results in savings on cutting new keys, buying replacement cylinders, and purchasing magnetic stripe cards or card encoder devices.

Key Features

Operation: Press the buttons in the correct sequence and turn the knob to retract the bolt.

Thousands of possible combinations: Authorized individuals can change the combination in seconds. You can use one to five buttons in the combination – individually or by pressing two or more buttons simultaneously.

Easy to install on wood or metal doors: The lock can be installed on a door which has previously had another lock with a standard $2\frac{3}{4}"$ (70 mm) long bore hole. It has an inner plate which gives it a more aesthetic appearance.

Weather-resistant: The lock is tested outdoors for heavy use. Suitable for indoor and outdoor locations.

Includes: Standard plywood, installation instructions, full-scale template, key for changing the combination.

Optional features

Emergency release key: Can be used to override the combination and enter using a key. This feature allows you to start or maintain a master security system (with the same or a different key). The lock accepts removable cylinders (not supplied except for "XB" models).

Unrestricted access: Allows access without using the lock entry code, keeping the door active even when closed. This feature is configured internally with a special key (included on all passage feature models).

Specifications

Construction	Heavy-duty, all-metal cylindrical lock housing; compliant with ANSI 156.2 Grade 1; molded front cover, brass adjusting plate; cast copper fixed knobs.
Door thickness	1 3/8" (35 mm) to 2 1/4" (57 mm), wood or metal.
Plywood	T-type plywood, DB-type box plywood or ASA-type plywood.
Backset	2 3/4" (70 mm) inside length of the latch.
Installation	ASA 161 preparation with additional through bore holes; 1" (25 mm) diameter for combination change; 2 x 1/4" bore holes for mounting screws and 1" (25 mm) for optional unrestricted access.
Door handing	Reversible for left-hand doors.
Control	Tool for changing the combination.
Finishes	03 Bright Brass, 05 Antique Brass, 026 Bright Chrome, 26D Satin Chrome
Weight	7.25 lb (3.7 kg)